



RQE10LT

RQE20LT

RQE40LT

RQS10LT

RQS20LT

RQS40LT

## References

### RQE - T Relays 1, 2 & 4 contacts

RQE 1 ON (JT)	Miniature standard relay, 1, 2 or 4 change-over contact, 16-10-5 A	VDC	6/12/24	48-110-115	220
RQE 2 ON (JT)		VAC	6/12/24/48	110/120-220/230	
RQE 4 ON (JT)					
RQE 1 OL (JT)	Miniature standard relay, 1, 2 or 4 change-over contact, 16-10-5 A with lamp	VDC	6/12/24	48-110-115	220
RQE 2 OL (JT)		VAC	6/12/24/48	110/120-220/230	
RQE 4 OL (JT)					

### RQS - T Relays 1, 2 & 4 contacts with puss button.

RQS 1 ON (JT)	Miniature standard relay, 1, 2 or 4 change-over contacts, 16-10-5 A with puss button.	VDC	6/12/24	48-110/115	220
RQS 2 ON (JT)		VAC	6/12/24/48	110/120-220/230	
RQS 4 ON (JT)					
RQS 1 OL (JT)	Miniature standard relay, 1, 2 or 4 change-over contacts, 16-10-5 A with lamp & puss button.	VDC	6/12/24	48-110/115	220
RQS 2 OL (JT)		VAC	6/12/24/48	110/120-220/230	
RQS 4 OL (JT)					

## Features

Miniature power relay for general applications.

Available in 1 & 2 change-over contacts with max. current 16 A - 250 VAC / 30 VDC and 10 A - 250 VAC / 30 VDC and 4 change-over contacts with max. current 5 A - 250 VAC / 30 VDC (AC1/CD1). Nominal power DC 0,9 W & AC 1.5 VA.

Available with led for AC/DC relays. Diode only available for DC.

Small with high response and sensitivity relay.

Rational structure and wide applications.

In 1 and 2 contacts industrial plug-in terminals faston (4,8 mm)

In 4 contacts industrial plug-in terminals faston (2,6 mm)

Approvals: CE, UL.

## Contacts

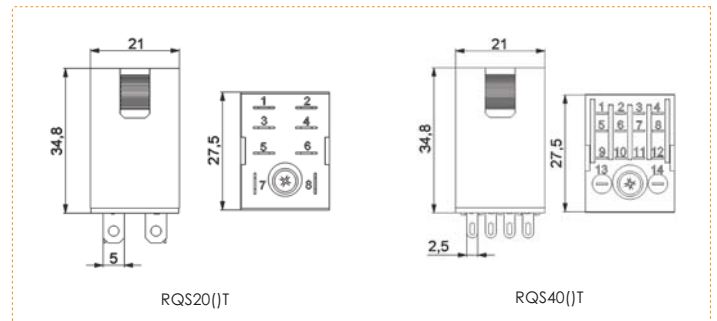
Contact arrangement	1C, 2C and 4C
Max. contact power	1C: 4000 VA / 480 W
	2C: 2500 VA / 300 W
	4C: 1250 VA / 150 W
Max. voltage	250 VAC1 / 30 VDC
Max. current	16 A, 10 A, 5 A AC1/DC1
Contact resistance	$\leq 50 \text{ M}\Omega$
Contact material	Silver alloy

## Coil ratings

Nominal voltage VDC	6	12	24	48	115	220
Resistance ( $\Omega \pm 15\%$ )	40	160	650	2600	11000	42000
Nominal voltage VAC	6	12	24	48	120	230
Resistance ( $\Omega \pm 15\%$ )	11,5	40	160	600	3900	13000

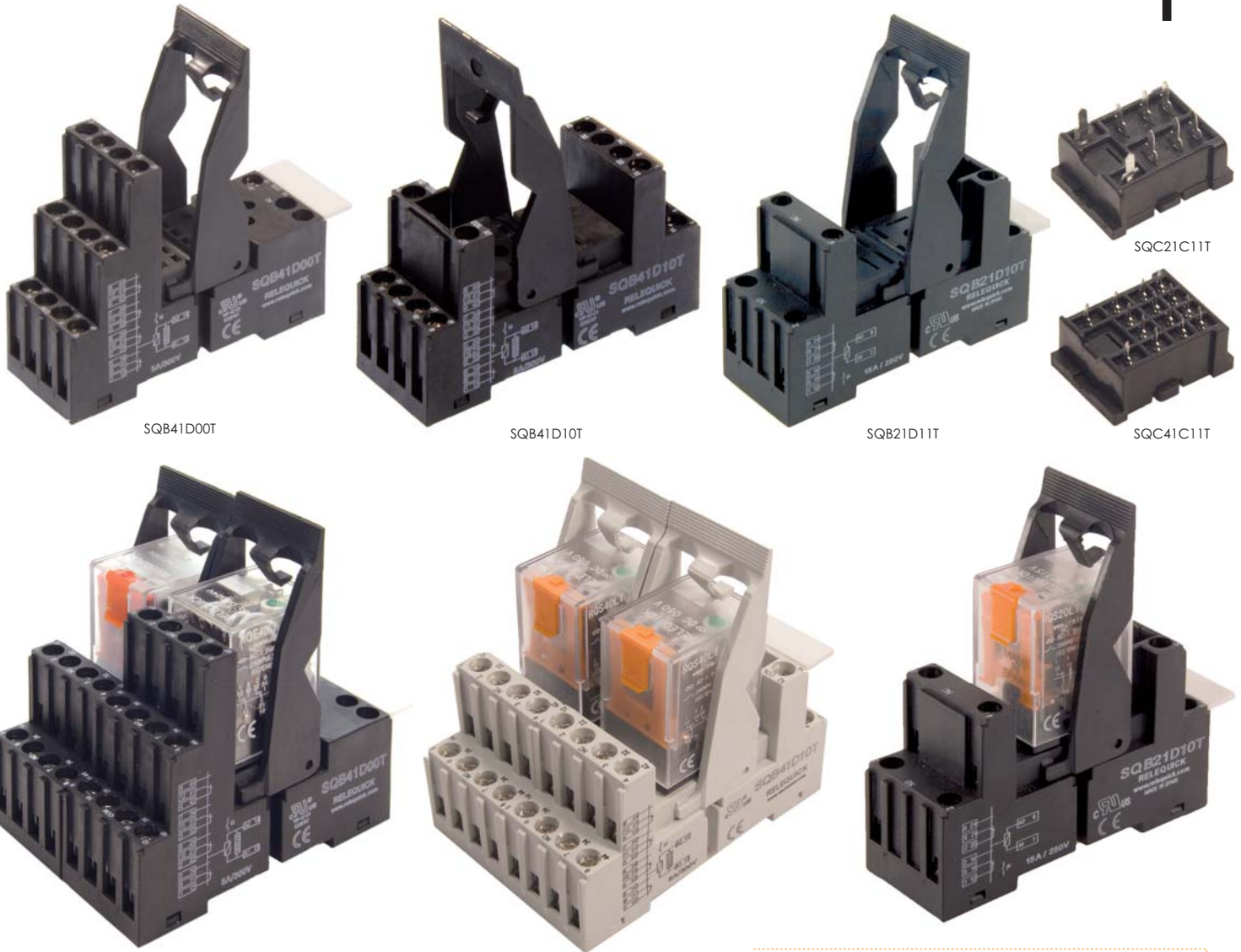
## Coil values

	VDC	VAC 50Hz
Operating range	0,75 - 1,1Un	0,8 - 1,1Un
Max. drop-out voltage	$\geq 10\% \text{ Un}$	$\geq 30\% \text{ Un}$



## Specifications

Electrical life	$\geq 10^5$ cycles
Mechanical life	$\geq 10^7$ cycles
Insulation resistance	$\geq 1000 \text{ M}\Omega$ (500 VDC)
Operating time	$\leq 20 \text{ ms}$
Release time	$\leq 15 \text{ ms}$
Dielectric strength at 1 mA 1 y 2 C	2.000 VAC / 1 min.
	(Between coil and contacts)
Dielectric strength at 1 mA 4 C	1.000 VAC / 1 min.
	(Between open contacts)
Dielectric strength at 1 mA 1 y 2 C	1.800 VAC / 1 min.
	(Between coil and contacts)
Dielectric strength at 1 mA 4 C	1.000 VAC / 1 min.
	(Between open contacts)
Vibration resistance	10 - 50 Hz (Double width 1,5 mm)
Shock resistance	10 G
Room temperature	- 40° C + 65° C
Room humidity	35% - 85% RH
Atmospheric pressure	86 - 106 KPa
Weight	40 gr.
Pack units	20



## Features

- DIN rail (35 mm) or panel mount
- Electronic modules installation (possibility)
- DIN/EN Sequential numbering
- According to EN 60947

## Specifications

Nominal load .....	10 A / 250 VAC (SQB2T) 5 A / 250 VAC (SQB4T)
Dielectric strength .....	2,5 KV
Max. screw torque .....	1,2 Nm
Screws .....	M3 Steel. Pozi drive
Wire in lets capacity solid wire .....	4 mm <sup>2</sup> or 2 x 2,25 mm <sup>2</sup>
Wire in lets capacity multi-core .....	22-14 AWG

## References

- SQB21D11T..... Socket with screw terminals for RQ relays 2 contacts black.
- SQB41D10T..... Socket with screw terminals for RQ relays 4 contacts black.
- SQB40D10T..... Socket with screw terminals for RQ relays 4 contacts grey.
- SQB41D00T..... Interface socket with screw terminals for RQ relays 4 contacts black.
- SQC21C11T..... Weld-on PCB socket for RQ relays 2 contacts black.
- SQC41C11T..... Weld-on PCB socket for RQ relays 4 contacts black.

