

- » Zero crossing AC solid state relay.
- » Input range: 5 - 24 VDC.
- » Maximum load current (AC1 at 25° C): 25, 60 A.
- » Operational ratings: 48 - 480 VAC.
- » Frequency range: 47 - 63 Hz.
- » Maximum non-repetitive peak voltage: 1,000 Vp.
- » 2 LED indicators (input / output).
- » Clip on protective cover for greater safety (IP 20).
- » Heat sink included.
- » Can be mounted directly on a DIN-rail with a clip for DIN-rail.

Models and references

Zero crossing	Control voltage	Rated operational voltage	Rated operational current	Reference
Yes	5 - 24 VDC	48 - 480 VAC	25 A	RS1A0R024DC480025Z
			60 A	RS1A0P032DC480060Z

Specifications

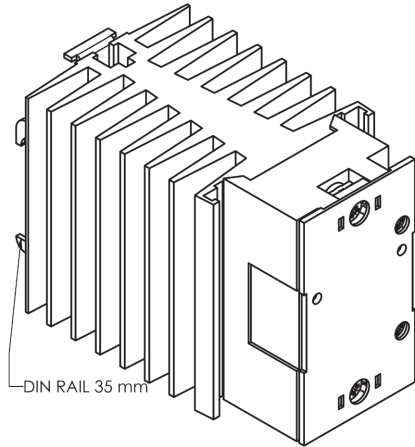
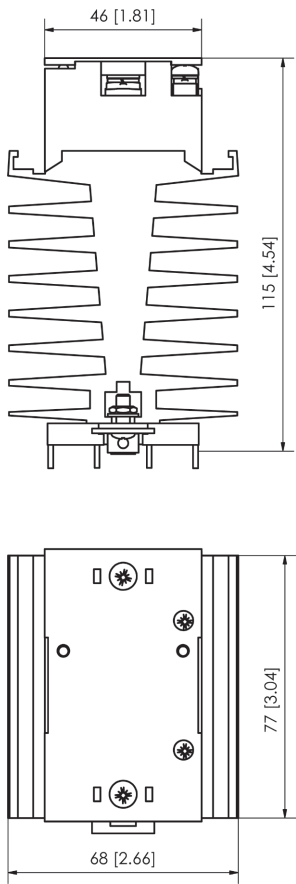
GENERAL SPECIFICATIONS	
Dielectric insulation (between input and output)	2,500 VAC
Operating temperature	-40 to 80° C
Storage temperature	-45 to 85° C
Ambient humidity	Operating: up to 85%
CE-marking	Yes

INPUT SPECIFICATIONS	
Control voltage range	5 - 24 VDC
Maximum input current	16/18 mA @= 5 V / 24 V
Pick-up voltage	2.2 VDC
Drop-out voltage	2.2 VDC
Maximum reverse voltage	24 VDC
Maximum response time pick-up	10 ms
Maximum response time drop-out	10 ms

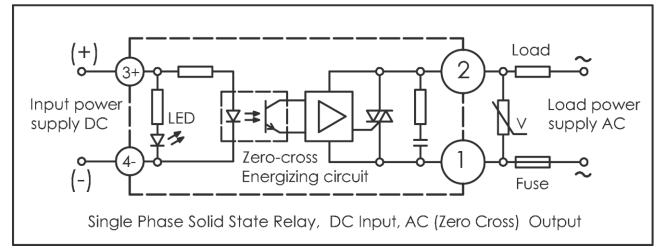
HOUSING SPECIFICATIONS		
Dimensions (L x W x H mm)	75 x 35 x 100	80 x 70 x 105
Weight	200 g	340 g
Baseplate	Aluminum, nickel-plated	
Control terminal (M3x6) torque	1.2 Nm	
Power terminal (M5x9) torque	2.4 Nm	

OUTPUT SPECIFICATIONS		
Maximum load current (AC51 @ Ta = 25° C)	25 A	60 A
(AC53a @ Ta = 25° C)	5 A	15 A
Load voltage range	48 - 480 VAC	
Frequency range	47 - 63 Hz	
Maximum non-repetitive peak voltage	1,000 Vp	
Maximum non-repetitive peak current (t = 10 ms)	350 Ap	630 Ap
Maximum off state leakage current (t = 25° C)	3 mA	
Minimum off state dv / dt	500 V / μs	
Maximum on state voltage	1.2 VAC	
Minimum load current	0.1 A	
I _{pt} (10 ms) (orientative data)	625 A ² s (25 A) 2,025 A ² s (60 A)	

Dimensions



Circuit diagram



Load current vs. ambient temperature

