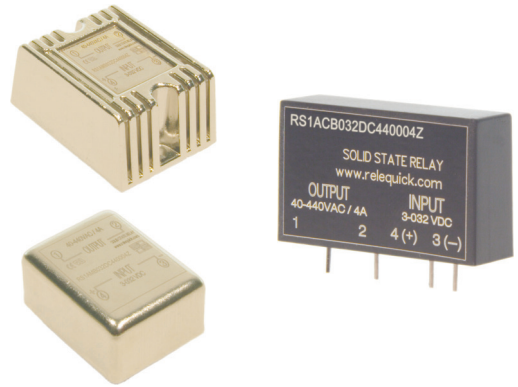




- » AC Solid state relay, zero crossing.
- » Input range: 3 - 32 VDC.
- » Maximum load current (AC1 at 25° C): 4, 5 A.
- » Operational ratings: 40 - 400 VAC.
- » Frequency range: 50 - 60 Hz.
- » Maximum non-repetitive peak voltage: 1,200 Vp.



Models and references

Zero crossing	Control voltage	Rated operational voltage	Rated operational current	Reference
Yes	3 - 32 VDC	40 - 440 VAC	4 A	RS1ACB032DC440004Z
			5 A	RS1AMB032DC440004Z
				RS1AMB032DC440005Z

Specifications

GENERAL SPECIFICATIONS	VDC input
Dielectric insulation (between input & output)	1,500 VAC
Operating temperature	-30° to 80° C
Storage temperature	-35° to 85° C
Ambient humidity (operating)	Up to 85 %
CE-marking	Yes

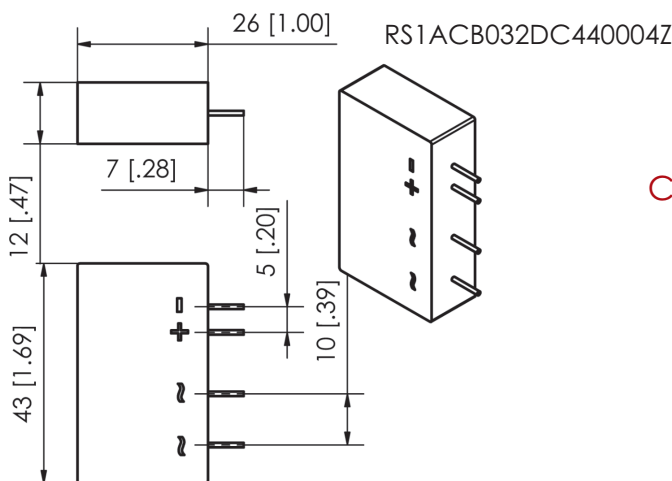
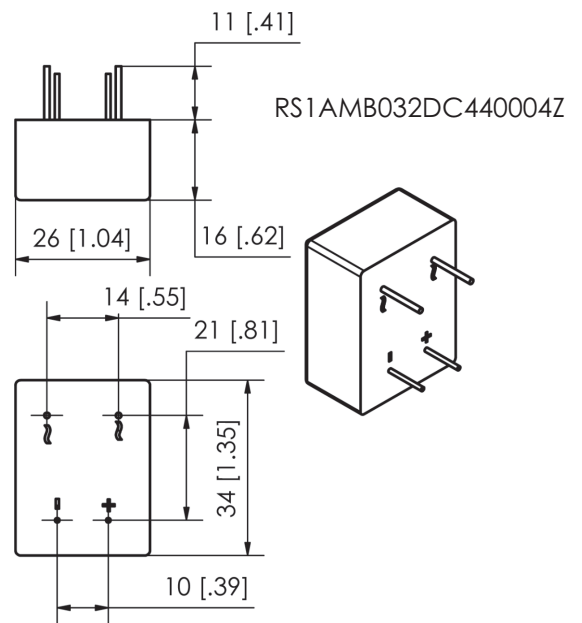
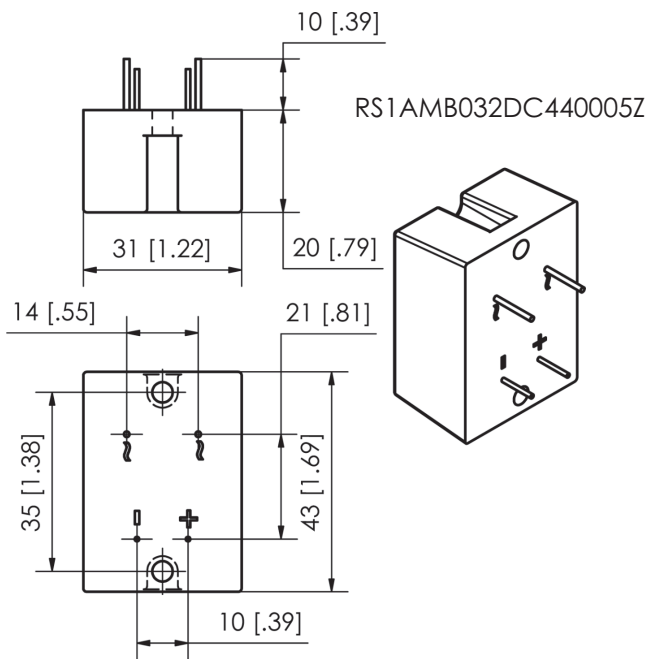
INPUT SPECIFICATIONS	
Control voltage range	3 - 32 VDC
Maximum input current	9 / 16 mA @= 5 V / 24 V
Pick-up voltage	1.5 VDC
Drop-out voltage	1.5 VDC
Maximum reverse voltage	32 VDC
Maximum response time pick-up	10 ms
Maximum response time drop-out	10 ms

OUTPUT SPECIFICATIONS	4 A	5 A
Maximum load current (AC51 @ Ta = 25° C)	4 A	5 A
Load voltage range	40 - 440 VAC	
Frequency range	50 - 60 Hz	
Maximum non-repetitive peak voltage	1,200 Vp	
Maximum non-repetitive peak current (t = 10 ms)	7 Ap	
Maximum off state leakage current	10 mA	
Minimum off state dv / dt	200 V / μs	
Maximum on state voltage	1.6 VAC	
Minimum load current	0.1 A	

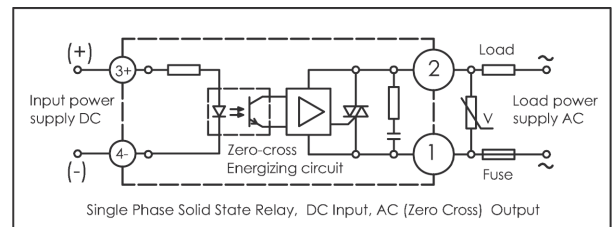
HOUSING SPECIFICATIONS	5 A	4 A	4 A plastic
Dimensions (L x W x H mm)	43 x 31 x 20	35 x 27 x 17	43 x 26 x 12
Weight	78 g maximum	34 g	22 g
Baseplate	Aluminum, nickel-plated		



Dimensions



Circuit diagram



Load current vs. ambient temperature

